

[TopPage](#)>>[Search Result](#)>>7238DT

Angular Contact Ball Bearings

Bearing No. : **NACHI 7238DT**

■ Bearing Type

■ Clearance

■ Tolerance Class

Dimensions

$d = 190$
0
-0.030

$D = 340$
0
-0.040

$B = 55$
0
0.000

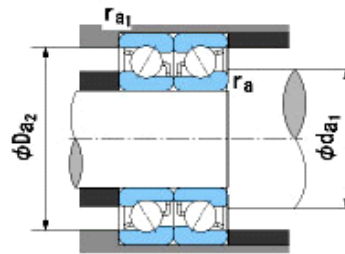
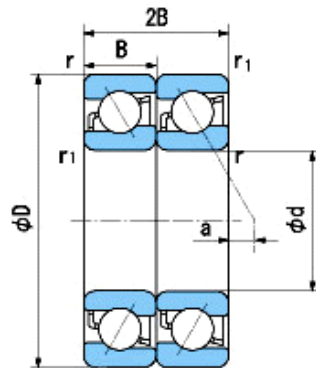
$r = 4 \sim 6.5$
(Radial Direction)

$r = 4 \sim 9$
(Axial Direction)

$r_1 = 1.5 \sim 3$
(Radial Direction)

$r_1 = 1.5 \sim 5$
(Axial Direction)

$a = 49$



Dimensions

$da_1(\text{min}) = 208$
 $da_2(\text{min}) = 199$
 $Da_1(\text{max}) = 322$
 $Da_2(\text{max}) = 331$
 $ra(\text{max}) = 3$
 $ra_1(\text{max}) = 1.5$
Mass = 43 kg

Basic Dynamic Load Rating C_r : **510,000** N

Basic Static Load Rating C_{or} : **825,000** N

Limiting Speed ;

Grease Lubrication : **1,300** min^{-1}

Oil Lubrication : **1,700** min^{-1}

	INNER RING	OUTER RING
O.D.Surface Runout with Side :		-
Axial Runout with Bore :	-	-
Axial Runout with Raceway :	-	-
Width Variation :	0.030	0.030
Radial Runout :	0.040	0.070